

FLOAT AND THERMOSTATIC STEAM TRAPS FLT 17 (DN 1"HC – DN 25HC)

DESCRIPTION

FLT 17 float and thermostatic (integral air vent) steam traps series are designed for all types of low and high pressure steam heating and process equipment.

Typical applications include unit heaters, heat exchangers, driers, jacketed vessels and all the applications where continuous drainage is essential.

Connections are female screwed or flanged for horizontal or vertical installation.

MAIN FEATURES

Modulating discharge.

Discharges condensate at steam temperature.

Unaffected by sudden or wide load and pressure changes.

Excellent air discharge (by thermostatic air vent).

OPTIONS: SLR – steam lock release
Equalizing plug or vent connection
Internal strainer

USE: Saturated and superheated steam.

AVAILABLE

MODELS: FLT17-4,5 , 10 and 14

SIZES: DN 1"HC – DN25HC

CONNECTIONS: Female screwed ISO7/1 Rp (BS21)
Flanged EN 1092-2 PN16

INSTALLATION: Standard horizontal installation –
From left to right FLT17 (L-R)

Upon request:

-horizontal installation with the flow from right to left (R-L)

-vertical installation with the flow from top to bottom (V)

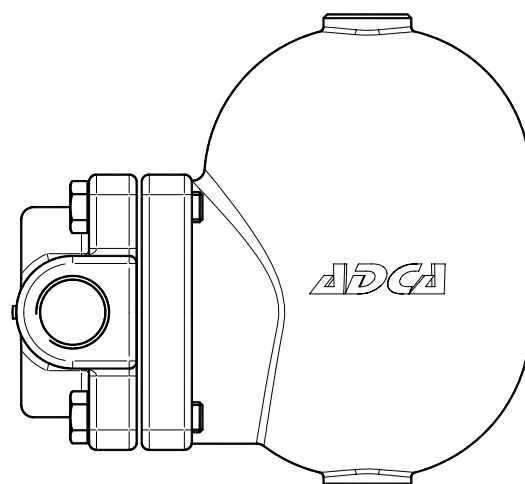
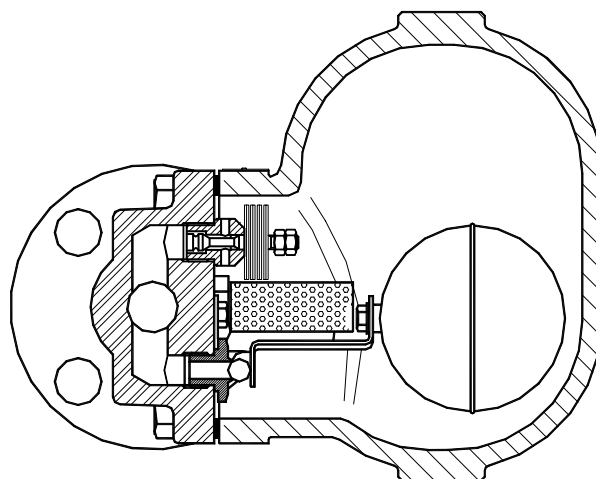
PMA – Max.allowable pressure 16 bar

TMA – Max.allowable temperature 250 °C

PMO – Max.operating pressure 14 bar

TMO – Max.operating temperature 198 °C

How to order:i.e.:FLT17-14DN1"HC BSP



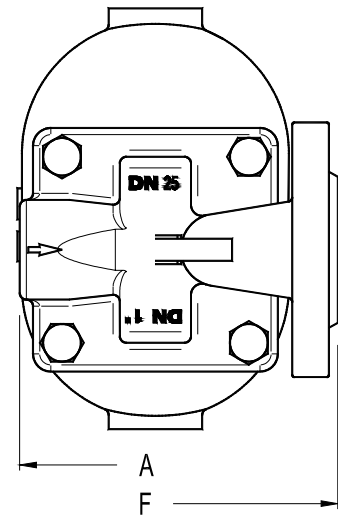
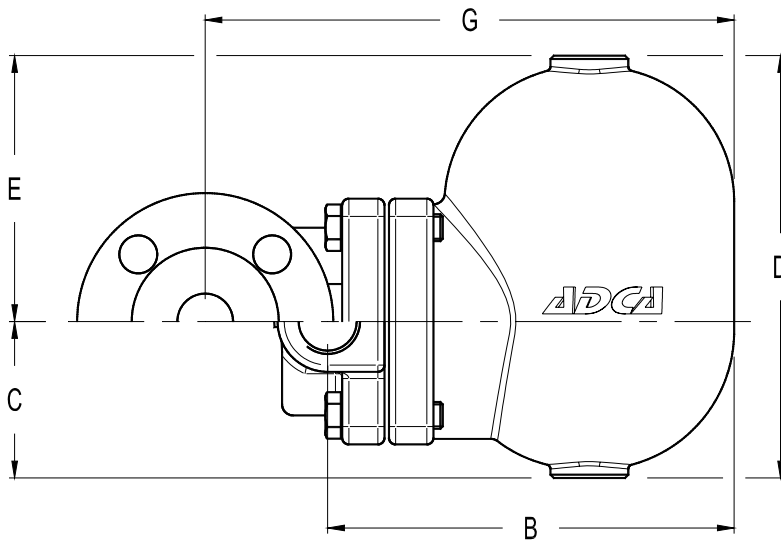
MAX. DIFFERENTIAL PRESSURE

FLT17HC-4,5 : 4,5 bar

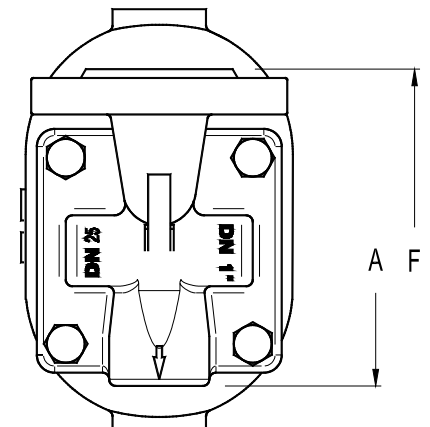
FLT17HC-10 : 10 bar

FLT17HC-14: 14 bar

FLOW RATE CAPACITY IN Kgs/h														
MODEL	SIZE	DIFFERENTIAL PRESSURE (bar)												
		0,5	1	1,5	2	3	4,5	6	7	8	9	10	12	14
FLT17-4,5	1"-25HC	900	1250	1450	1700	2010	2400							
FLT17-10	1"-25HC	450	620	790	880	1100	1250	1500	1600	1700	1750	1800		
FLT17-14	1"-25HC	340	435	530	600	610	850	990	1100	1190	1240	1300	1350	1380



DIMENSIONS (mm)-Screwed							EN 1092-2 Flanges		
SIZE DN	A	B	C	D	E	WGT. Kgs	F	G	WGT. Kgs
25	120	195	80	190	110	9	160	248	11,3



Vertical Installation (V)

MATERIALS		
POS.Nr.	DESIGNATION	MATERIAL
1	Body	GJS-400-15 / 0.7040
2	Cover	GJS-400-15 / 0.7040
3	*Gasket	Stainless st. / Graphite
4	*Seat	AISI 410 / 1.4006
5	*Valve	AISI 440C / 1.4125
6	*Lever	AISI 304 / 1.4301
7	*Float	AISI 304 / 1.4301
8	*Air vent	Stainless st. (Bimetallic)
9	Bolts	Steel 8.8
10	**Strainer	AISI 304 / 1.4301

*Available spare parts ; ** Optional

