



Model: 6/3600

SPECIFICATIONS

Aluminium cased, remote reading, nickel plated copper capillary, vapour pressure actuated temperature gauge. Fast response rates.

- CASE** Aluminium
- BEZEL** Anodised Aluminium
- CAPILLARY** 2 mm OD nickel plated copper
- BULB** Nickel plated copper, 12.7 mm OD x 90 mm length (minimum)
- DIAL** Aluminium, black on white
- POINTER** Black coated aluminium

FEATURES

- SINGLE SCALE** °C
- ACCURACY** ±1.5 % of full scale deflection in accordance with BS 1041-2.1:1985.
- CAPILLARY** Standard Length is 2 m, but lengths up to 30 m are available.
Vapour pressure thermometer scales are logarithmic. The ideal working temperature is between 10 and 2 o'clock on the dial.

TEMPERATURE RANGES

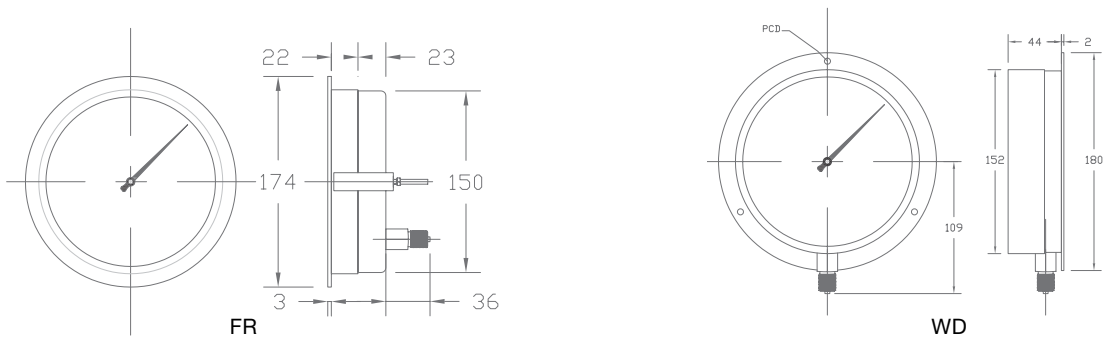
Temperature Ranges °C	Effective Temperature Range °C
-40/15	-30/15
-30/30	-30/30
-20/60	-20/60
10/80	25/80
40/110	50/100
40/150	50/150
100/200	100/200

OPTIONS	Wall mount or panel mount
---------	---------------------------

CONNECTIONS

Pockets (thermowells) can be provided in either nickel plated brass or 316 stainless steel, 1/2 " BSP thread with nut and rubber insert to hold capillary.

DIMENSIONS (mm)



ORDERING GUIDE

Model	6/3600	-30/30	6M	12.7/90	W	SS
Range	-30/30				Thermowell (SS) Stainless steel (CPB) Nickel plated brass (O) Other - Specify	
Capillary Length			12.7/90			
Bulb Dimensions 12.7/90 mm					Mounting WD - Wall mount FR - Panel mount	

Manufactured in New Zealand by
TEL THERM INSTRUMENTS LTD.
 5/343 Church St,
 Onehunga
 Auckland 1061
 P.O. Box 12-171,
 Penrose
 Auckland 1642
Ph: +64 9 633 0040
Fax: +64 9 633 0012
Email: sales@teltherm.co.nz
www.teltherm.co.nz