



Model: 3063

SPECIFICATIONS

| | |
|-----------------------|--------------------------|
| CASE | AISI 304 stainless steel |
| BEZEL | AISI 304 stainless steel |
| BOURDON TUBE | Phosphor Bronze |
| STEM | Brass |
| WINDOW | Polycarbonate |
| GASKET | Silicone |
| FILLING LIQUID | Glycerine |

OPERATION

The 3063 is a general purpose 63 mm diameter gauge designed for liquid filling if required. The design and accuracy of this Teltherm gauge complies with BS EN 837-1:1998 for class 1.6 pressure gauges.

FEATURES

| | |
|----------------------|---|
| DUAL SCALE | kPa and psi standard, other engineering units available on request. |
| ACCURACY | ±1.6 % of full scale. Gauges are tested on ascending and descending pressure. |
| LIQUID FILLED | This acts as a dampening agent for the sensitive element and movement and also reduces pointer flutter to allow easier reading. Gauge service life is therefore extended. Standard fill is glycerine. |
| THREAD TYPE | Standard ¼ " BSPT |

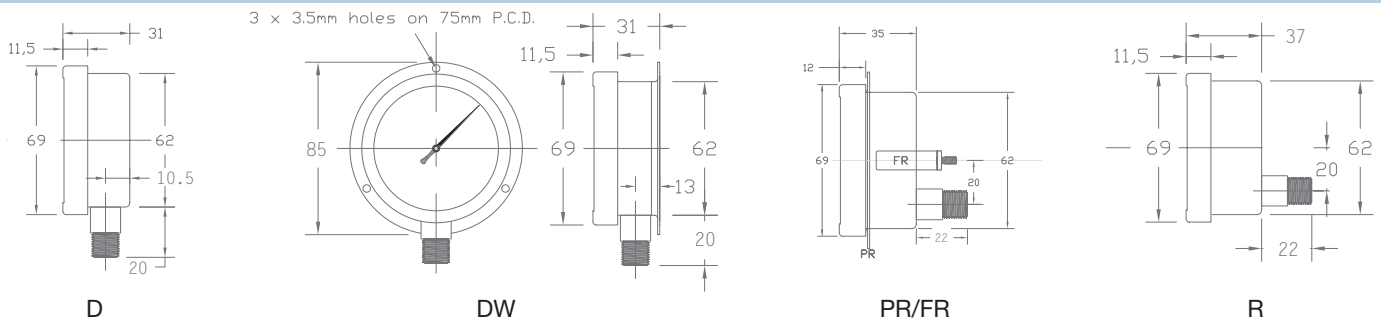
Pressure Ranges kPa

| | |
|----------|---|
| Vacuum | -100/0 |
| Pressure | 0/70, 0/100 |
| | 0/250, 0/400, 0/600 |
| | 0/1000, 0/1600 |
| | 0/2500, 0/4000 |
| | 0/6000, 0/10000 |
| | 0/16000, 0/25000 |
| | 0/40000 |
| Compound | -100/150, -100/300 |
| | -100/500, -100/900, -100/1500 -100/2400 |

OPTIONS

Silicone Filled, Adjustable Pointers, Drag Pointers (Max Reading), Corporate Logos, mH₂O, Freon Scales, Coloured Sectors

DIMENSIONS (mm)



HOW TO ORDER

| | | | | | | | | |
|-------|-------|--|----|--------|----------|-------|-------------|--|
| Model | ----- | 3063 | DL | 0/2500 | ¼ " BSPT | ----- | Thread Type | |
| Types | ----- | | | | | ----- | Range | |
| A | | - Altitude with red set pointer | | | | | | |
| C | | - Compound | | | | | | |
| D | | - Direct mounting, bottom | | | | | | |
| FR | | - Rear entry, flush panel mount with back strap | | | | | | |
| PR | | - Rear entry, flush panel mount with 3 hole ring | | | | | | |
| L | | - Liquid filled | | | | | | |
| R | | - Direct mount - rear | | | | | | |
| W | | - Wall mount with back flange | | | | | | |
| X | | - Specials - state | | | | | | |

Manufactured in New Zealand by
TELTERM INSTRUMENTS LTD.

5/343 Church St,
Onehunga
Auckland 1061

P.O. Box 12-171,
Penrose
Auckland 1642

Ph: +64 9 633 0040
Fax: +64 9 633 0012
Email: sales@teltherm.co.nz

www.teltherm.co.nz