



Model: 3063SP

Designed to comply with BS EN 837:1998 for the requirements of safety pattern gauges. Safety features include baffle wall, blow-out back and laminated safety glass.

### SPECIFICATIONS

<b>CASE</b>	63 mm diameter constructed of AISI 304 stainless steel
<b>PRESSURE ELEMENT</b>	Phosphor Bronze
<b>MOVEMENT</b>	Brass
<b>DIAL</b>	White aluminium
<b>POINTER</b>	Black aluminium
<b>INGRESS PROTECTION</b>	IP65

### OPERATION

A robust stainless steel gauge suitable for service requiring a safety pattern gauge, such as use with volatile gases (e.g. oxygen) and for high pressure inert gases (over 25 bar).

### FEATURES

**ACCURACY** Class 1.6 ( $\pm 1.6\%$  of full scale). Others available on request.

**OXYGEN SERVICE** Specify for use with oxygen - the 'use no oil' logo and the word 'oxygen' is printed on dial.

**TEMPERATURE** Operating Temperature is  $-25/80\text{ }^{\circ}\text{C}$ . Unfilled gauges will tolerate  $160\text{ }^{\circ}\text{C}$  for short periods. Gauges have been calibrated at  $20\text{ }^{\circ}\text{C} \pm 2\text{ }^{\circ}\text{C}$ . Allow  $\pm 0.4\%$  change in pressure for every  $10\text{ }^{\circ}\text{C}$  deviation from calibration temperature. For continuous use at high temperatures a diaphragm or other heat reduction method is recommended.

**PRESSURE LIMITATIONS** Steady  $\frac{3}{4}$  full scale, Fluctuating  $\frac{3}{4}$  full scale, Will withstand 1.25 % full scale for short periods of time.

**UNITS** Single kPa scale is standard - other engineering units available on request.

**THREAD TYPE** Brass, Bottom Entry,  $\frac{1}{4}$  " BSPT standard

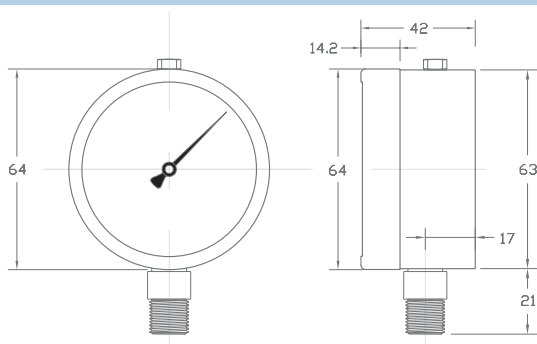
### Pressure Ranges kPa

Vacuum	-100/0
Pressure	0/100
	0/250, 0/400, 0/600
	0/1000, 0/1600
	0/2500, 0/4000
	0/10000
	0/16000, 0/25000
	0/40000
Compound	-100/150, -100/300
	-100/500, -100/900, -100/1500 -100/2400

### OPTIONS

Oxygen Service, Adjustable Pointers, Special Scales, Corporate Logos, Coloured Sectors

### DIMENSIONS (mm)



### HOW TO ORDER

Model	-----	3063SP	D	0/100,000	$\frac{1}{4}$ " BSPT	
						Thread Type
Types	-----					Range
		C				- Compound
		D				- Direct mounting, bottom
		X				- Specials - state

Manufactured in New Zealand by  
**TEL THERM INSTRUMENTS LTD.**

5/343 Church St,  
Onehunga  
Auckland 1061

P.O. Box 12-171,  
Penrose  
Auckland 1642

**Ph: +64 9 633 0040**  
**Fax: +64 9 633 0012**  
**Email: sales@teltherm.co.nz**  
**www.teltherm.co.nz**

Need Technical Assistance?  
for help and advice

Call us now on +64 9 633 0040