



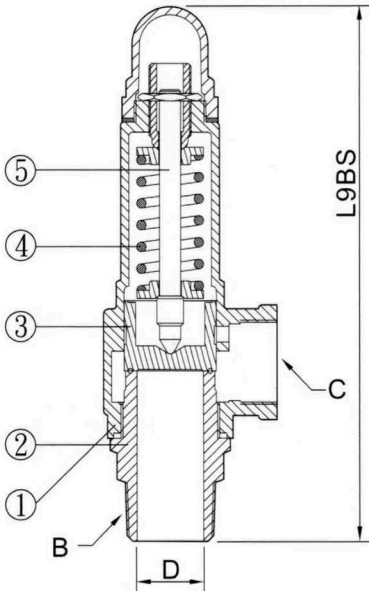
BRONZE SAFETY VALVES

L9BS

Sealing 1/2"~2"

L9-LBS

Lever 1/2"~2"



Dimensions

(Sealing)

Unit:mm

(Lever)

Unit:mm

Item Size	Dimensions (Sealing)							Lift	Wt. kg	Dimensions (Lever)		Weight Wt. kg
	L9BS	Inlet B	Outlet C	Valve seat orifice D	E	F	L9-LBS			Weight Wt. kg		
1/2"	145	1/2"	1/2"	13	29	49	0.52	0.5	1/2"	168	0.6	
3/4"	167	3/4"	3/4"	19	36	55	0.76	0.8	3/4"	190	0.8	
1"	202	1"	1"	25	40	67	1.00	1.3	1"	223	1.4	
1-1/4"	233	1-1/4"	1-1/4"	32	50	79	1.28	2.1	1-1/4"	248	2.2	
1-1/2"	257	1-1/2"	1-1/2"	38	54	86	1.52	2.8	1-1/2"	272	2.9	
2"	283	2"	2"	50	66	96	2.00	4.5	2"	299	4.7	

General Material

NO.	Model		L9BS Sealing	L9-LBS Lever
	Parts Name			
1	Valve Body	Cast Bronze		
2	Valve Seat	SUS304 or CF8		
3	Disc	SUS304 or CF8		
4	Spring	Steel		
5	Stem	Brass		
Working Pressure		0.3~2 kgf/cm ²	2.1~10 kgf/cm ²	11~20 kgf/cm ²
Working Temp		-45 °C~185 °C		
Working Fluid		Noncorrosive Gas、Air、Steam		Noncorrosive Gas、Air、Steam