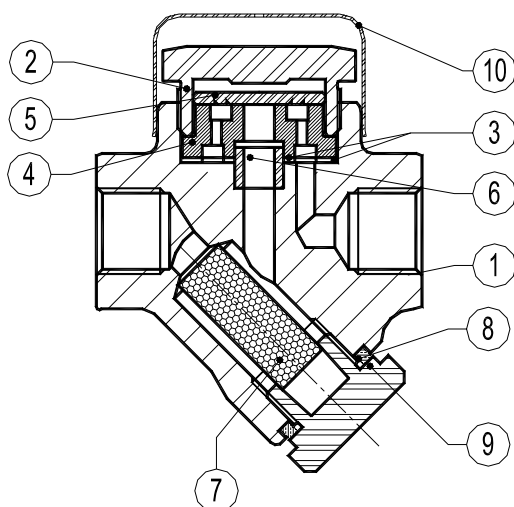


DIMENSIONS (mm)-Screwed						EN Flanges	
SIZE DN	A	B	C	D	WGT. Kgs	E	WGT. Kgs
15	80	56	46	96	1	150	2,5
20	80	56	52	105	2	150	3,3
25	80	56	62	115	1,8	160	4,4



MATERIALS		
POS.Nr.	DESIGNATION	MATERIAL
1	Body	P250GH / 1.0460
2	Cover	AISI 304 / 1.4301
3	*Gasket	Graphite
4	*Seat	Hardened St.Steel
5	*Valve disc	Hardened St.Steel
6	*Tube	AISI 304 / 1.4301
7	*Strainer screen	AISI 304 / 1.4301
8	*Gasket	StainlessSt./Graphite
9	Plug	A105 / 1.0432
10	Insulating Cap	AISI 304 / 1.4301

*Available spare parts.