



Model: 4SS

### SPECIFICATIONS

All stainless steel, bi-metal operated, dial thermometer with sealed head.

- CASE** AISI 304 stainless steel
- BEZEL** AISI 304 stainless steel
- DIAMETER** 100 mm or 150 mm
- STEM** Stainless steel, welded construction
  - 12.7 mm - standard diameter or 6.35 mm diameter (Others available on request)
  - Lengths from 50 mm to 1500 mm in AISI 316 stainless steel
- CONNECTION** Fixed Thread, Adjustable compression union or seperable pocket (thermowell), all in 316 stainless steel or nickel plated brass
- THREAD** Fixed thread 1/2 " NPT, Unions 1/2 " NPT or BSPT. Pockets 1/2 " NPT or BSPT - Other sizes available
- RANGES** From -40 to 500 °C. Refer standard ranges list
- ACCURACY** ±1 % full scale
- WINDOW** Polycarbonate
- GASKET** Nitrile

### FEATURES

- Head may be silicone filled for heavy duty plant conditions. Accuracy may be reduced if liquid filled.
- Rust and corrosion proof, leak sealed heads.

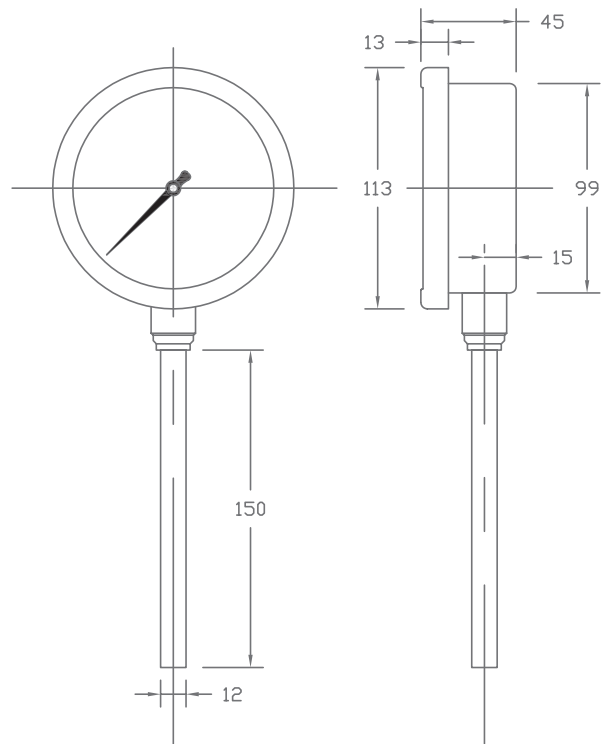
### OPTIONS

- Back flange for wall mounting

### STANDARD RANGES

Standard Ranges °C	Scale Divisions
-40/60	2 °C
-20/80	2 °C
0/50	1 °C
0/100	2 °C
0/120	2 °C
0/150	2 °C
0/200	2 °C
0/250	5 °C
0/300	5 °C
0/400	5 °C
0/500	10 °C

### DIMENSIONS



Type 4SS

### ORDERING GUIDE

Model ----- **4SS** **A** **12** **0/120** **300** **T** **1/2 " NPT**

Dial Size -----  
 A - 100 mm  
 B - 150 mm

Stem Diameter -----  
 12 - 12.7 mm  
 06 - 6.35 mm

Temperature Range -----

Thread Form -----

Connection Type -----  
 F - Fixed stainless steel thread  
 C - Compression union  
 T - Thermowell

Length of Stem -----  
 (state)

Manufactured in New Zealand by  
**TEL THERM INSTRUMENTS LTD.**  
 5/343 Church St,  
 Onehunga  
 Auckland 1061

P.O. Box 12-171,  
 Penrose  
 Auckland 1642

**Ph: +64 9 633 0040**  
**Fax: +64 9 633 0012**  
**Email: sales@teltherm.co.nz**  
**www.teltherm.co.nz**