



Model: 6SSA

SPECIFICATIONS

Stainless steel cased, remote reading, nickel-plated copper capillary, vapour pressure actuated temperature gauge. Fast response rates.

CASE	AISI 304 stainless steel
BEZEL	AISI 304 stainless steel
CAPILLARY	2 mm OD nickel plated copper
BULB	Nickel plated copper, 12.7 mm OD x 90 mm length (minimum)
DIAL	Aluminium, black on white
POINTER	Black coated aluminium

FEATURES

- SINGLE SCALE** °C
- ACCURACY** ±1.5 % of full scale deflection in accordance with BS 1041-2.1:1985.
- CAPILLARY** Standard Length is 2 m, but lengths up to 30 m are available.

Vapour pressure thermometer scales are logarithmic. The ideal working temperature is between 10 and 2 o'clock on the dial.

OPTIONS

- Protective sheathing over the capillary (copper or stainless steel). Armaflex also available as extra protection
- Stainless steel bulbs
- Silicone filled case

CONNECTIONS

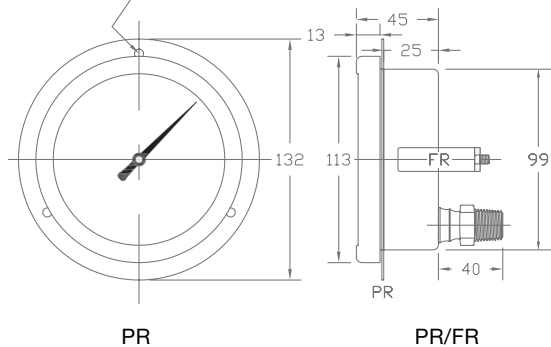
Pockets (thermowells) can be provided in either nickel plated brass or 316 stainless steel, 1/2" BSP thread with nut and rubber insert to hold capillary.

TEMPERATURE RANGES

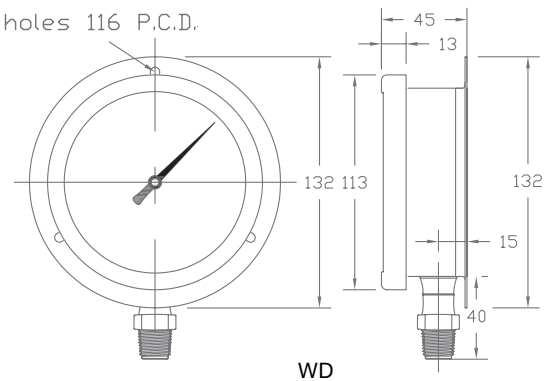
Temperature Ranges °C	Effective Temperature Range °C
-40/15	-30/15
-30/30	-30/30
-20/60	-20/60
10/80	25/80
40/110	50/100
40/150	50/150
100/200	100/200

DIMENSIONS (mm)

3 x 5mm holes on 116 P.C.D.



3 x 5mm holes 116 P.C.D.



ORDERING GUIDE

Model	-----	6SSA	-30/30	6M	12.7/90	R	SS	
Range	-----							Thermowell (SS) Stainless steel (CPB) Nickel plated brass (O) Other - Specify
Capillary Length	-----							Mounting WD - Wall mount FR - Rear entry, flush panel PR - Rear entry, flush panel L - Silicon Filled
Bulb Dimensions	-----							
<p>CP - 12.7/90 mm - standard for chrome plated copper system SS - 12.7/150 mm - Standard for AISI 316 Stainless steel system (requires 80 mm immersion minimum)</p>								

Manufactured in New Zealand by
TEL THERM INSTRUMENTS LTD.

5/343 Church St,
 Onehunga
 Auckland 1061

P.O. Box 12-171,
 Penrose
 Auckland 1642

Ph: +64 9 633 0040
Fax: +64 9 633 0012
Email: sales@teltherm.co.nz

www.teltherm.co.nz