



Model: 6A

### SPECIFICATIONS

Plastic coated, remote reading, nickel-plated copper capillary, vapour pressure actuated temperature gauge. Fast response rates.

<b>CASE</b>	Glass filled Nylon, wall mount, 100 mm diameter dial
<b>CAPILLARY</b>	2 mm OD nickel plated copper
<b>BULB</b>	Nickel plated copper, 12.7 mm OD x 90 mm length Smaller bulb on request (see Temperature Ranges)
<b>DIAL</b>	Aluminium, black on white
<b>POINTER</b>	Black coated aluminium

### FEATURES

- SINGLE SCALE** °C
- ACCURACY** ±1.5 % of full scale deflection in accordance with BS 1041-2.1:1985.
- CAPILLARY** Standard Length is 2 m, but lengths up to 30 m are available.
- WALL MOUNT** This is the only option available for this model.

Vapour pressure thermometer scales are logarithmic. The ideal working temperature is between 10 and 2 o'clock on the dial.

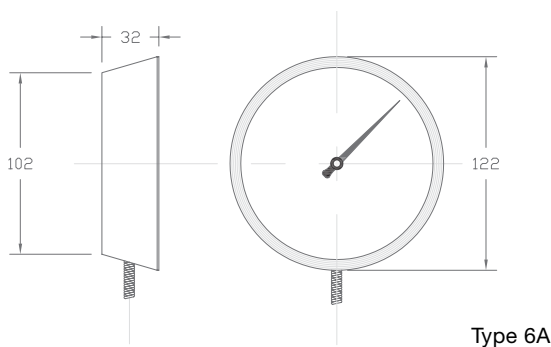
### TEMPERATURE RANGES

Temperature Ranges °C	Effective Temperature Range °C
-40/15	-30/15
-30/30	-30/30
-20/60	-20/60
10/80*	25/80
40/110*	50/100
40/150*	50/150
100/200	100/200

\*These ranges can be supplied with bulb 7.5 mm diameter and length 80 mm (minimum).

Special length pockets required for this option.

### DIMENSIONS (mm)



### CONNECTIONS

Pockets (thermowells) can be provided in either nickel plated brass or 316 stainless steel, 1/2" BSP thread with nut and rubber insert to hold capillary.

### ORDERING GUIDE

Model .....	6A	-30/30	6M	12.7/90	SS	
Range .....						Thermowell (SS) Stainless steel (CPB) Nickel plated brass
Capillary Length .....						Bulb Dimensions 12.7/90 mm 7.5/80 mm

Manufactured in New Zealand by  
**TEL THERM INSTRUMENTS LTD.**

5/343 Church St,  
Onehunga  
Auckland 1061

P.O. Box 12-171,  
Penrose  
Auckland 1642

**Ph: +64 9 633 0040**  
**Fax: +64 9 633 0012**  
**Email: sales@teltherm.co.nz**  
**www.teltherm.co.nz**