



Model: 6P

### SPECIFICATIONS

Plastic cased, remote reading, nickel-plated copper capillary, vapour pressure actuated temperature gauge. Fast response rates.

<b>CASE</b>	Plastic, wall mount, 100 mm diameter dial
<b>CAPILLARY</b>	2 mm OD nickel plated copper
<b>BULB</b>	Nickel plated copper, 4.7 mm OD x 120 mm length (minimum)
<b>DIAL</b>	Aluminium, black on white
<b>POINTER</b>	Black coated aluminium

### FEATURES

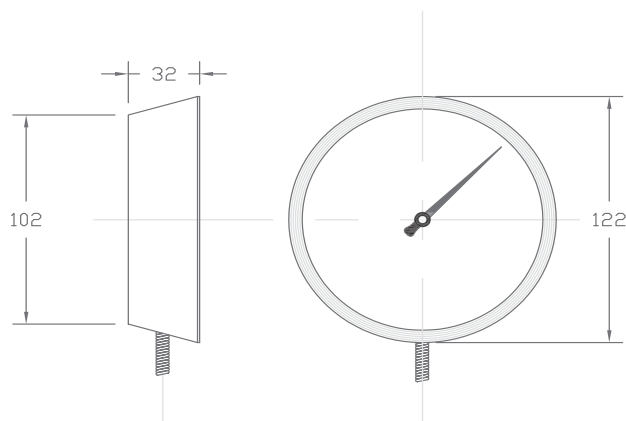
- SINGLE SCALE** °C
- ACCURACY** ±1.5 % of full scale deflection, in accordance with BS 1041-2.1:1985.
- CAPILLARY** Standard Length is 2 m, but lengths up to 30 m are available.
- WALL MOUNT** This is the only option available for this model.

Vapour pressure thermometer scales are logarithmic. The ideal working temperature is between 10 and 2 o'clock on the dial.

### TEMPERATURE RANGES

Temperature Ranges °C	Effective Temperature Range °C	Safeguarded to 100 °C
0/15	2/5	

### DIMENSIONS (mm)



Type 6P

### ORDERING GUIDE

Model .....	6P	0/15	2M	4.7/120	
Range .....					
Capillary Length .....				Bulb Dimensions	

Manufactured in New Zealand by  
**TEL THERM INSTRUMENTS LTD.**

5/343 Church St,  
Onehunga  
Auckland 1061

P.O. Box 12-171,  
Penrose  
Auckland 1642

**Ph: +64 9 633 0040**  
**Fax: +64 9 633 0012**  
**Email: sales@teltherm.co.nz**  
**www.teltherm.co.nz**