



Model: 6SSN

### SPECIFICATIONS

Stainless steel cased, remote reading, nickel-plated copper capillary, vapour pressure actuated temperature gauge. Fast response rates.

<b>CASE</b>	AISI 304 stainless steel
<b>BEZEL</b>	AISI 304 stainless steel
<b>CAPILLARY</b>	2 mm OD nickel plated copper
<b>BULB</b>	Nickel plated copper, 12.7 mm OD x 90 mm length (minimum) Smaller bulb on request (see options)
<b>DIAL</b>	Aluminium, black on white
<b>POINTER</b>	Black coated aluminium

### FEATURES

- SINGLE SCALE** °C
- ACCURACY** ±1.5 % of full scale deflection in accordance with BS 1041-2.1:1985.
- CAPILLARY** Standard Length is 2 m, but lengths up to 30 m are available.

Vapour pressure thermometer scales are logarithmic. The ideal working temperature is between 10 and 2 o'clock on the dial.

### OPTIONS

- Silicone filled case
- Small bulb: Ranges with a \* can be supplied with a bulb with diameter 7.5 mm and length 80 mm. Special length pockets are required for this option.

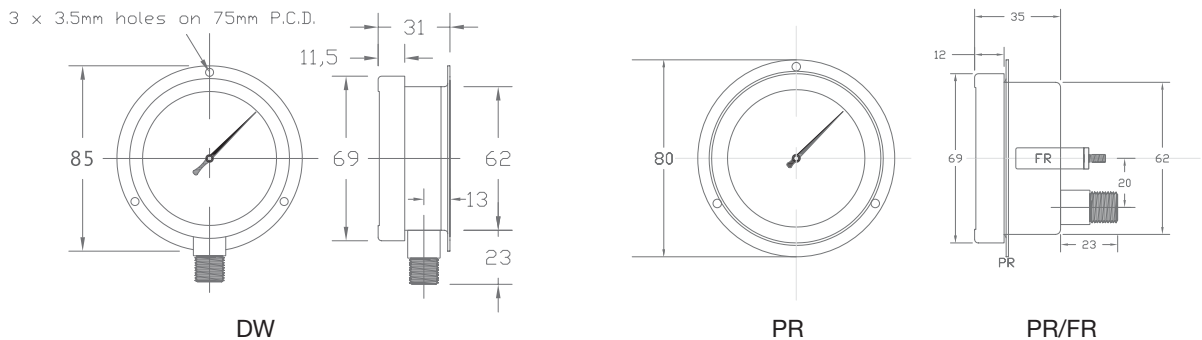
### CONNECTIONS

Pockets (thermowells) can be provided in either nickel plated brass or 316 stainless steel, 1/2" BSP thread with nut and rubber insert to hold capillary.

### TEMPERATURE RANGES

Temperature Ranges °C	Effective Temperature Range °C
-40/15	-30/15
-30/30	-30/30
-20/60	-20/60
10/80*	25/80
40/110*	50/100
40/150*	50/150
100/200	100/200

### DIMENSIONS (mm)



### ORDERING GUIDE

Model	-----	6SSN	-30/30	6M	12.7/90	FR	SS	
Range	-----							Thermowell (SS) Stainless steel (CPB) Nickel plated brass (O) Other - Specify
Capillary Length	-----							Mounting DW - Wall mount FR - Panel mount - Back strap PR - Panel mount 3 hole ring L - Silicone Filled
Bulb Dimensions	-----							
								CP - 12.7/90 mm - standard for chrome plated copper system 7.5/80 mm - option for chrome plated copper system

Manufactured in New Zealand by  
**TEL THERM INSTRUMENTS LTD.**  
 5/343 Church St,  
 Onehunga  
 Auckland 1061  
 P.O. Box 12-171,  
 Penrose  
 Auckland 1642  
**Ph: +64 9 633 0040**  
**Fax: +64 9 633 0012**  
**Email: sales@teltherm.co.nz**  
**www.teltherm.co.nz**